

Oelmann Paging Solutions: POCSAG with the standard feedback

Springe, 09.2020

Oelmann Paging Solutions: POCSAG with the Feedback

When wireless signaling and paging is needed in critical solutions, mobile user feedback becomes important, at least with:

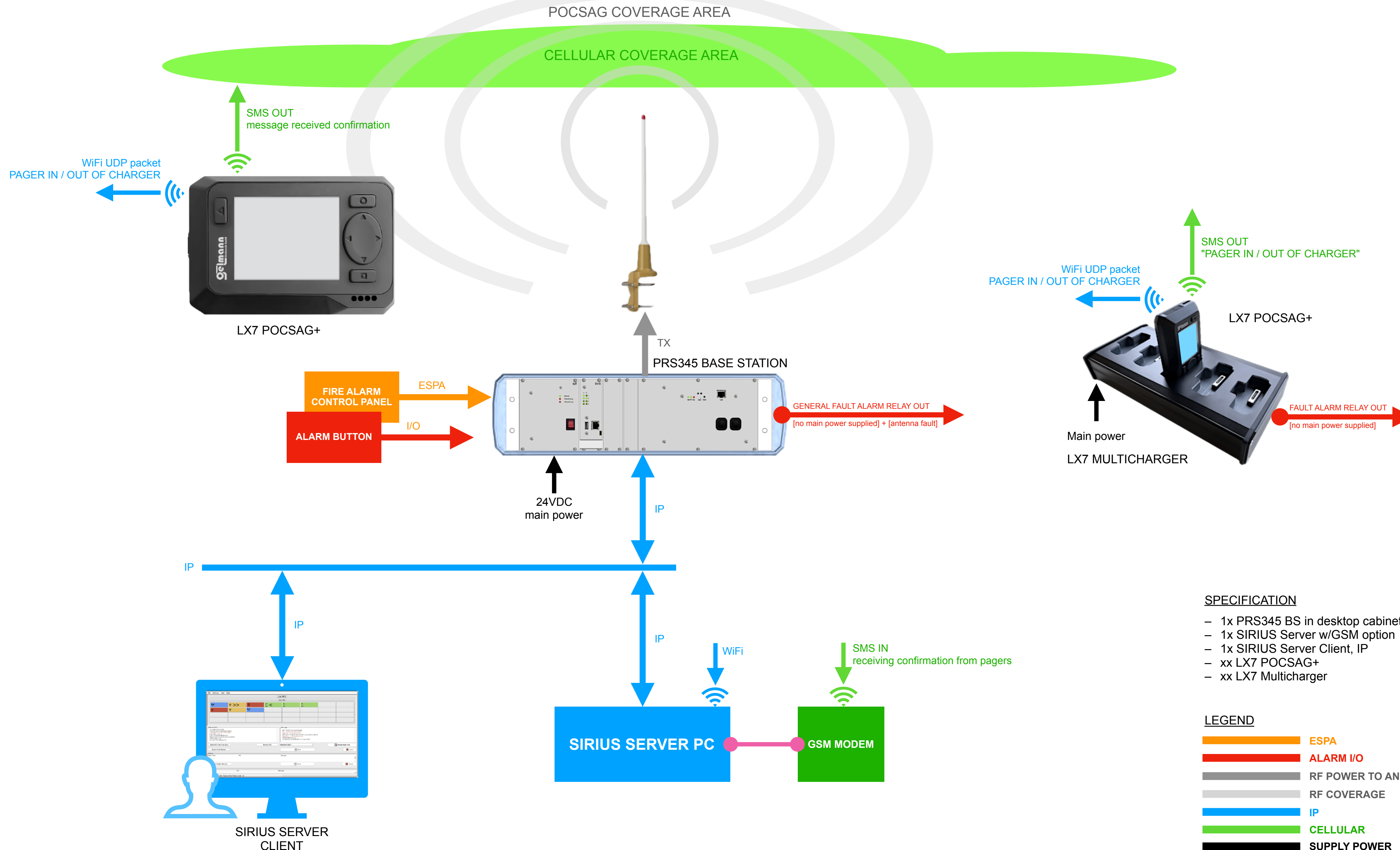
- **Confirmation of message receipt** from each active user in the fleet to whose the message is sent.
- Accurate information about the **current activity or inactivity of each user** (in/off the service), including the registration of the pager as absent after a shift or a mission is completed.

If the telecommunication system is **natively bi-directional** (TETRA, DMR, any Cellular/Gx, IP WiFi), then this can be done easily.

If this is standard POCSAG broadcasting, then it is also easy but with **a secondary channel**: Cellular (wide area) or Wi-Fi (local).

Important:

- Only **open and recognized standards and protocols** in use
- **Speed and accuracy/reliability** of message delivery. Including encryption if required.
- For **personnel safety** options, it is necessary to extend these solutions with emergency messaging from a mobile device (with the user ID, time, and location information), and polling.

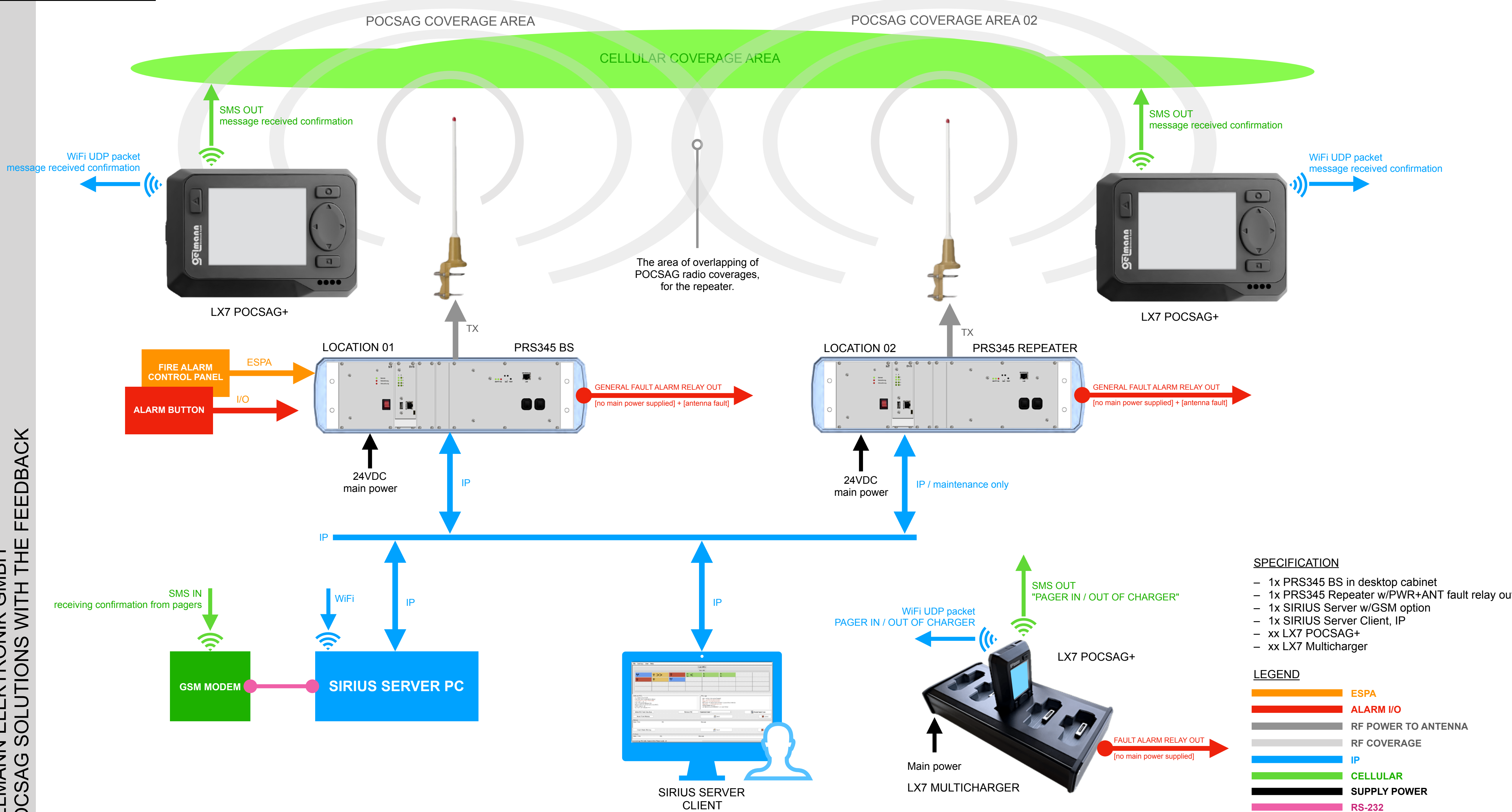


SPECIFICATION

- 1x PRS345 BS in desktop cabinet
- 1x SIRIUS Server w/GSM option
- 1x SIRIUS Server Client, IP
- xx LX7 POCSAG+
- xx LX7 Multicharger

LEGEND

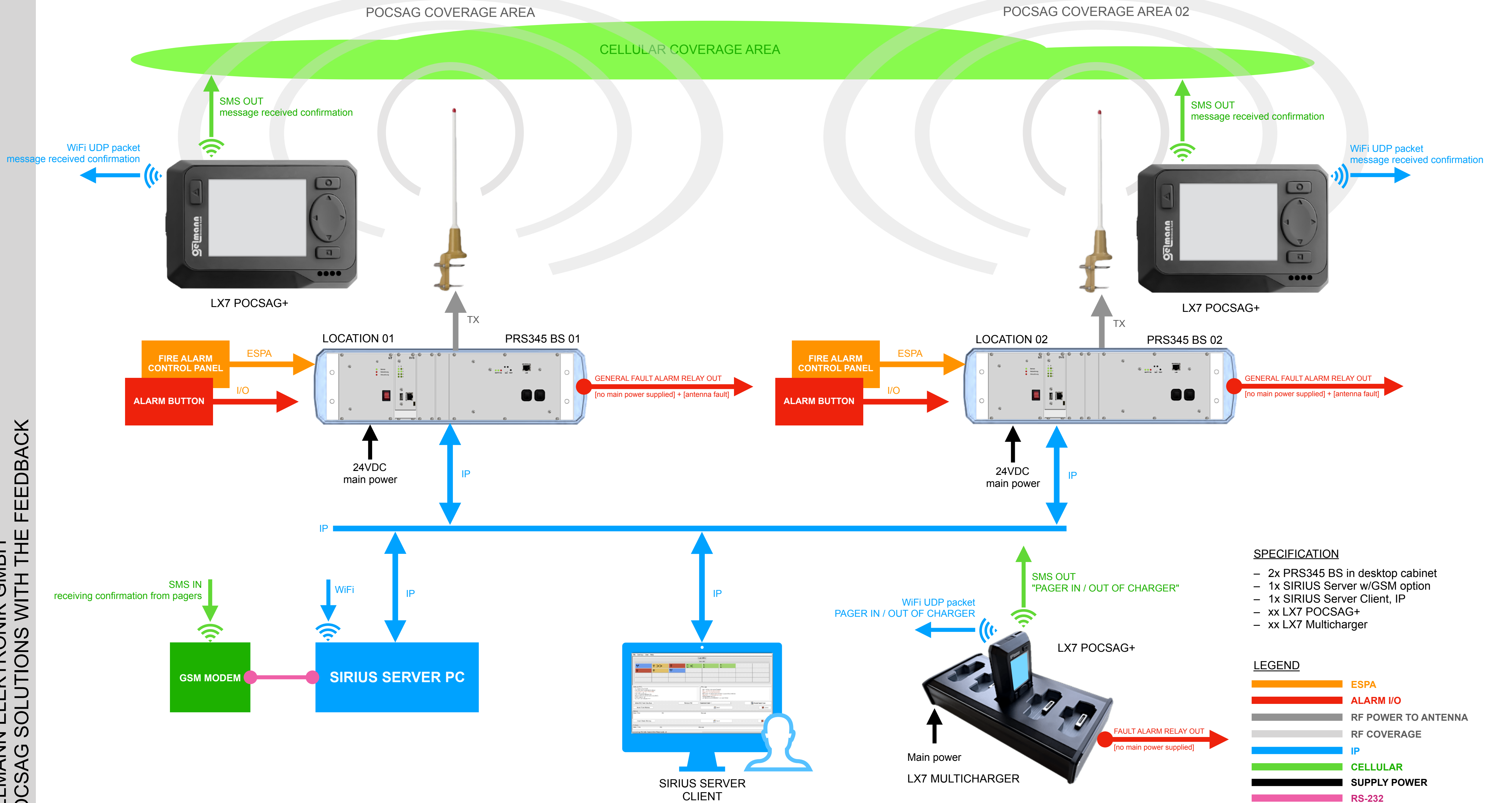
- ESPA
- ALARM I/O
- RF POWER TO ANTENNA
- RF COVERAGE
- IP
- CELLULAR
- SUPPLY POWER
- RS-232



- SPECIFICATION**
- 1x PRS345 BS in desktop cabinet
 - 1x PRS345 Repeater w/PWR+ANT fault relay out
 - 1x SIRIUS Server w/GSM option
 - 1x SIRIUS Server Client, IP
 - xx LX7 POCSAG+
 - xx LX7 Multicharger

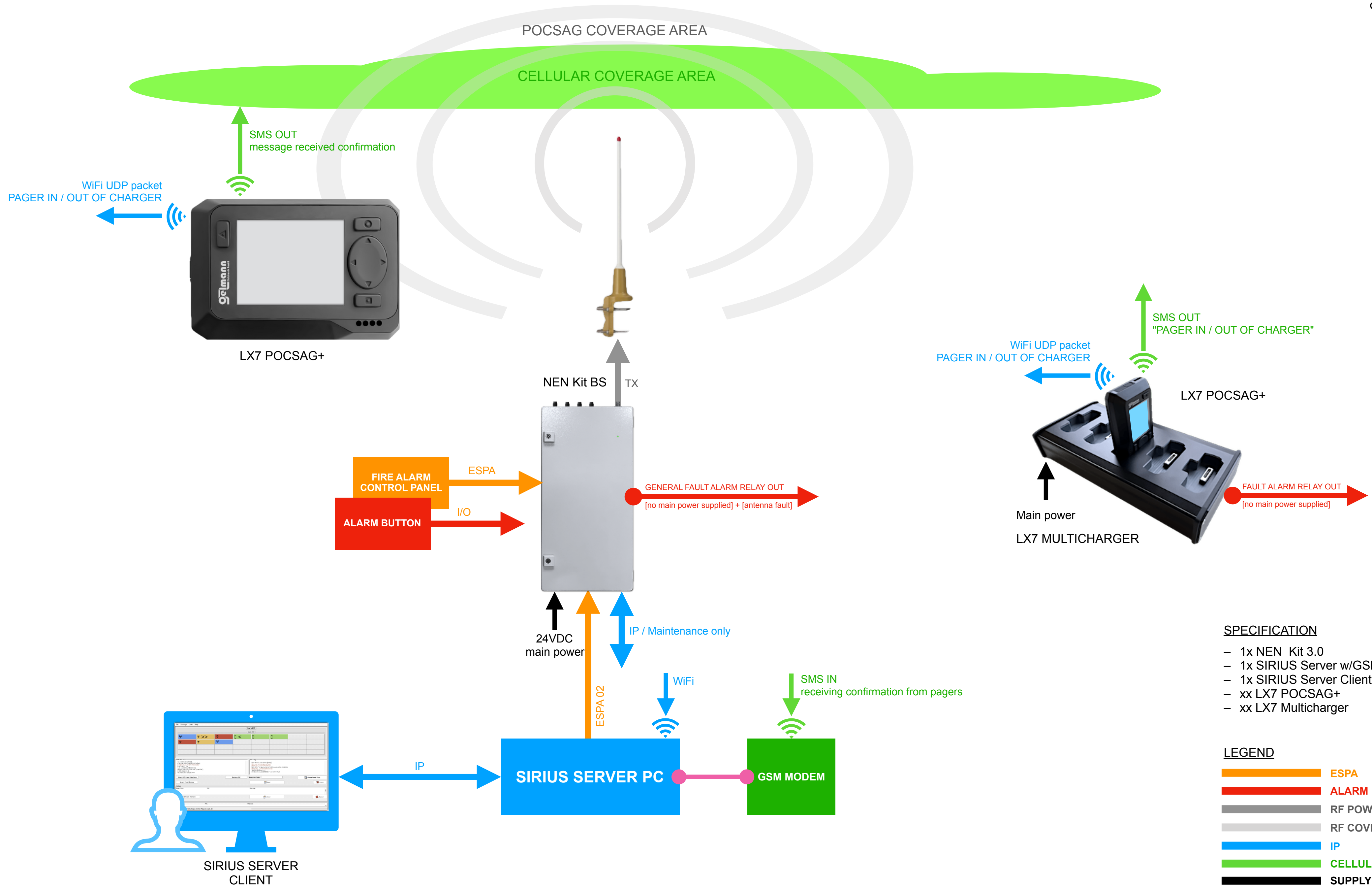
- LEGEND**
- ESPAs
 - ALARM I/O
 - RF POWER TO ANTENNA
 - RF COVERAGE
 - IP
 - CELLULAR
 - SUPPLY POWER
 - RS-232

OELMANN ELEKTRONIK GMBH
POCSAG SOLUTIONS WITH THE FEEDBACK



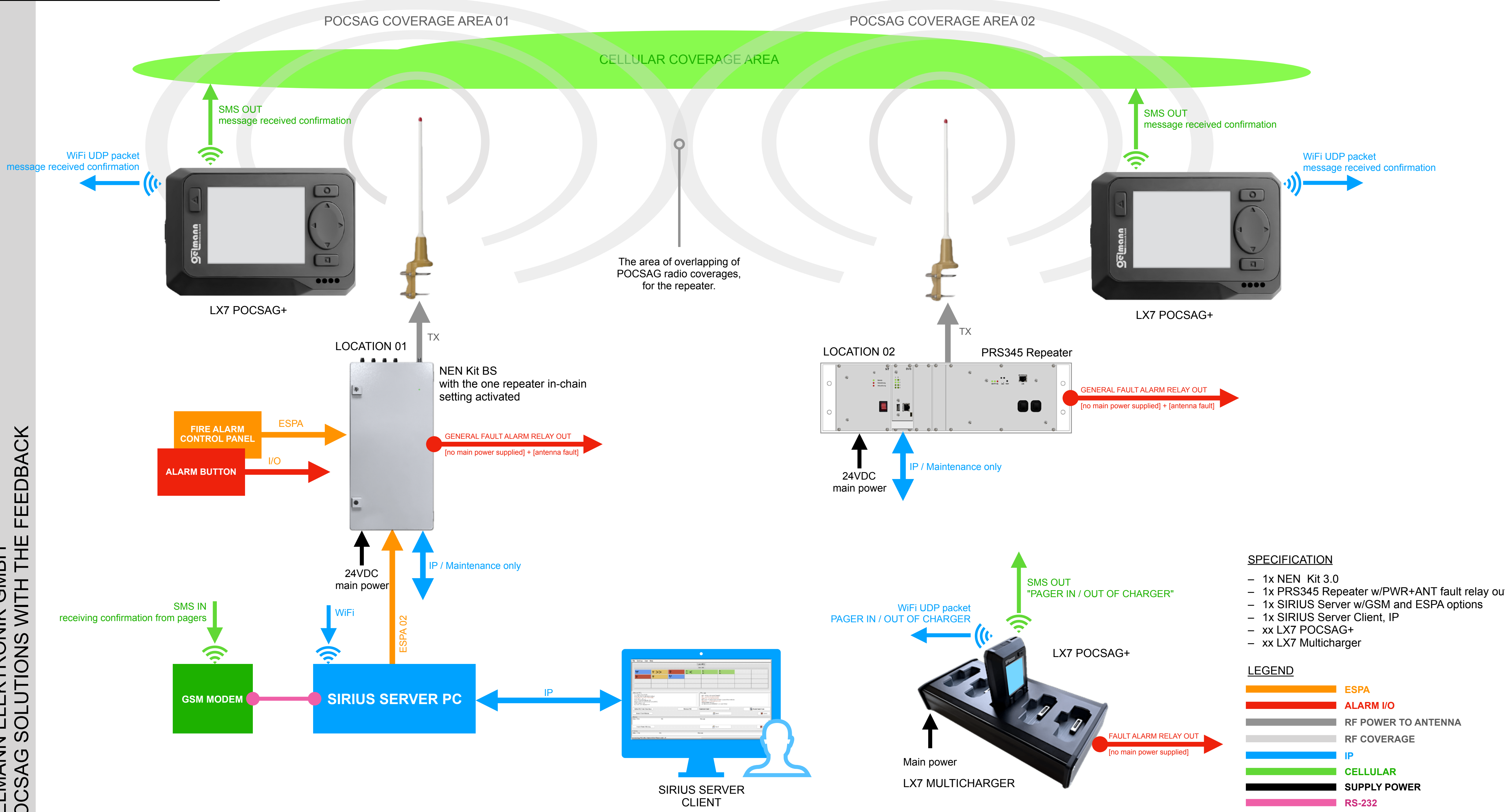
- SPECIFICATION**
- 2x PRS345 BS in desktop cabinet
 - 1x SIRIUS Server w/GSM option
 - 1x SIRIUS Server Client, IP
 - xx LX7 POCSAG+
 - xx LX7 Multicharger

- LEGEND**
- ESPAs
 - ALARM I/O
 - RF POWER TO ANTENNA
 - RF COVERAGE
 - IP
 - CELLULAR
 - SUPPLY POWER
 - RS-232



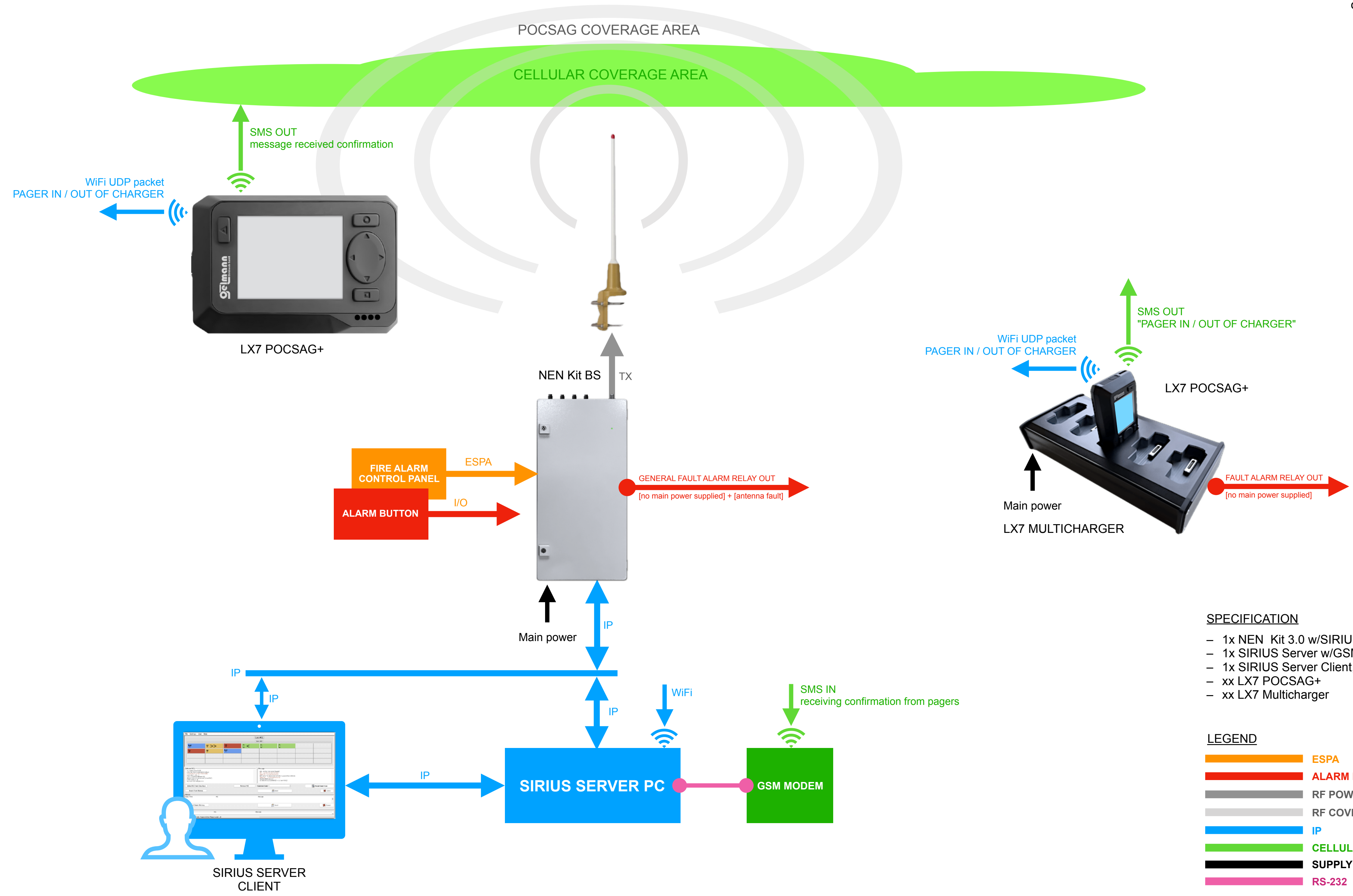
- SPECIFICATION**
- 1x NEN Kit 3.0
 - 1x SIRIUS Server w/GSM and ESPA options
 - 1x SIRIUS Server Client, IP
 - xx LX7 POCSAG+
 - xx LX7 Multicharger

- LEGEND**
- ESPA
 - ALARM I/O
 - RF POWER TO ANTENNA
 - RF COVERAGE
 - IP
 - CELLULAR
 - SUPPLY POWER
 - RS-232



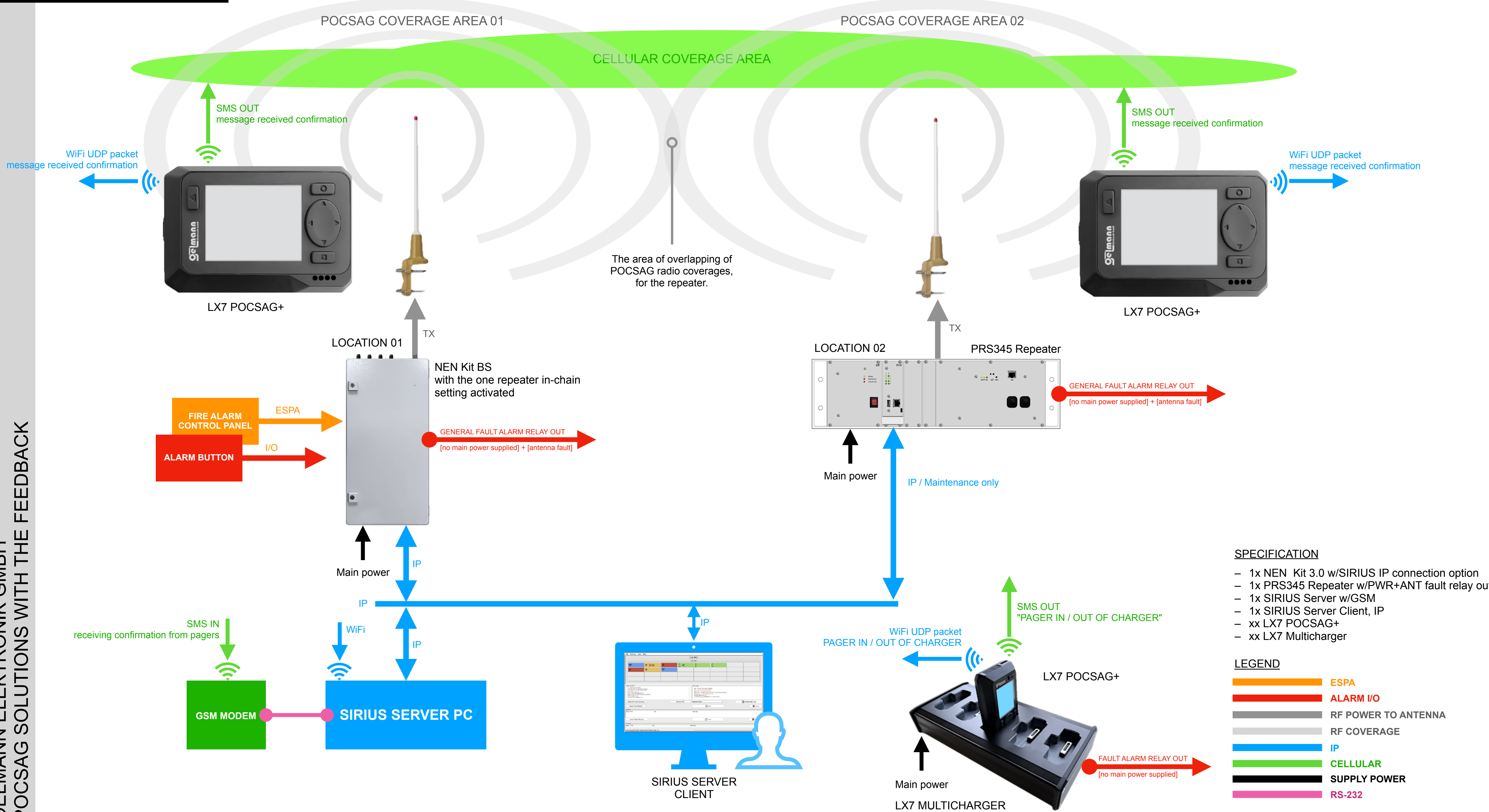
- SPECIFICATION**
- 1x NEN Kit 3.0
 - 1x PRS345 Repeater w/PWR+ANT fault relay out
 - 1x SIRIUS Server w/GSM and ESPA options
 - 1x SIRIUS Server Client, IP
 - xx LX7 POCSAG+
 - xx LX7 Multicharger

- LEGEND**
- ESPA
 - ALARM I/O
 - RF POWER TO ANTENNA
 - RF COVERAGE
 - IP
 - CELLULAR
 - SUPPLY POWER
 - RS-232



- SPECIFICATION**
- 1x NEN Kit 3.0 w/SIRIUS IP connection option
 - 1x SIRIUS Server w/GSM and ESPA options
 - 1x SIRIUS Server Client, IP/Dutch
 - xx LX7 POCSAG+
 - xx LX7 Multicharger

- LEGEND**
- ESPA
 - ALARM I/O
 - RF POWER TO ANTENNA
 - RF COVERAGE
 - IP
 - CELLULAR
 - SUPPLY POWER
 - RS-232



- SPECIFICATION**
- 1x NEN Kit 3.0 w/SIRIUS IP connection option
 - 1x PRS345 Repeater w/PWR+ANT fault relay out
 - 1x SIRIUS Server w/GSM
 - 1x SIRIUS Server Client, IP
 - xx LX7 POCSAG+
 - xx LX7 Multicharger

- LEGEND**
- ESPA
 - ALARM I/O
 - RF POWER TO ANTENNA
 - RF COVERAGE
 - IP
 - CELLULAR
 - SUPPLY POWER
 - RS-232